

CPU PROGRAM CHIP INSTALLATION PROCEDURE

NOTE: BE SURE YOU ARE GROUNDED TO CHASSIS BEFORE HANDLING CHIP.

1. Turn power off and disconnect all cables attached to the Note Acceptor.
2. Remove the Note Acceptor and place it on top of the Bill Stacker or another "static safe" work area, with the left side (CPU SIDE) facing towards you. (The CPU is opposite the interface side which contains the cable connectors).
3. Remove the side cover by removing the 4 Phillips screws as shown in Figure 1. (Do Not Remove Board from Chassis).
4. Remove the Program Chip in your Note Acceptor by gently prying it out with a small straight edge screwdriver. The location of this chip is pointed out by the arrow in Figure 1. (This chip is static sensitive and needs to be handled with care).
5. Carefully insert the New Program Chip. THIS MUST BE INSERTED WITH THE NOTCH ON THE CHIP FACING TOWARDS THE LEFT. (Place original program chip into the protective case for safe keeping).
6. Replace the CPU side cover and reconnect the Note Acceptor to the acceptor mount.
7. Reconnect all cables to their original connectors.
8. Power up the change machine.
9. Enter the program mode by pressing 5 0 0 on the Keyboard. Next, exit the program mode by pressing the EXIT button. If you have a Data Terminal instead of a Keyboard, enter the program mode by pressing F1 and exit the program mode by pressing F5. (This activates the new bill acceptance).
10. Check for normal operations by inserting various bills and counting the dispensed change.

NOTE: SYSTEM 600 NOTE ACCEPTORS WITH SOFTWARE VERSION 2.07 OR EARLIER MAY REQUIRE FACTORY CALIBRATION. THE SOFTWARE VERSION IS MARKED ON THE PROGRAM CHIP. (REFER TO FIGURE 1)

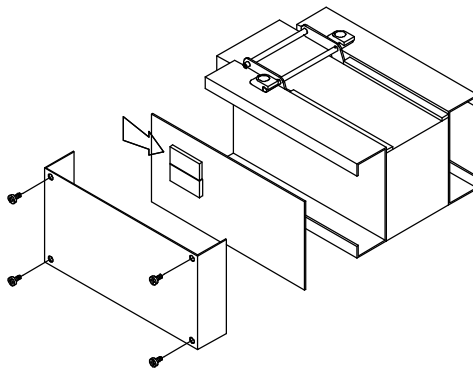


Figure 1

GROUNDING

Grounding is an electrical term which simply means being at the same voltage level as earth ground. Grounding yourself will allow the body to discharge as many as several thousand volts. Have you ever walked across a carpeted room and touched the TV and got shocked? That large amount of voltage discharge can destroy an electronic component.

Before removing the program chip, ground yourself by firmly grabbing (with your hand) the metal cabinet door to your changer. By discharging any built-up static electricity, you will be able to safely handle changing the program chip.

“STATIC SAFE”

A static safe work area would include means for allowing someone to properly ground themselves to prevent a static discharge to an electronic component. A properly grounded change machine cabinet provides an adequate ground as well as most copper cold water pipes.